

# MV-CH290-60GM/GC

29 MP 36 mm x 24 mm CCD GigE Camera



GEN*i*CAM

GIG*E*  
VISION

## Introduction

MV-CH290-60GM/GC is a high quality device that can be used in a variety of applications, including SMT/PCB AOI, FPD, railway related applications, etc.

## Key Feature

- 29 MP resolution, and pixel size of 5.5  $\mu\text{m} \times 5.5 \mu\text{m}$
- Adopts GigE interface and max. transmission distance of 100 meters without relay
- Up to 128 MB local memory for burst transmission and retransmission
- High quality CCD sensor with ultra-high signal-to-noise ratio, wide dynamic range, excellent imaging quality
- Compact construction design with mounting holes on the up and bottom panels for flexible mounting

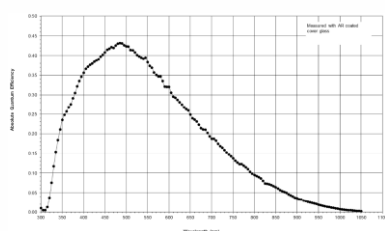
## Available Model

- M58-mount without fan, Mono: MV-CH290-60GM-M58S-NN
- M58-mount with fan, Mono: MV-CH290-60GM-M58S-NF
- F-mount with fan, Mono: MV-CH290-60GM-F-NF
- M58-mount without fan, Color: MV-CH290-60GC-M58S-NN
- M58-mount with fan, Color: MV-CH290-60GC-M58S-NF
- F-mount with fan, Color: MV-CH290-60GC-F-NF

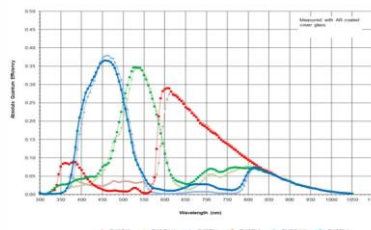
## Applicable Industry

SMT/ PCB AOI, FPD, railway related applications, etc.

## Sensor Quantum Efficiency



MV-CH290-60GM



MV-CH290-60GC

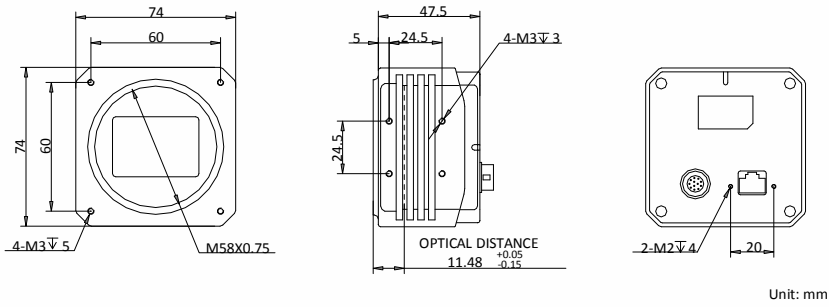


## Specification

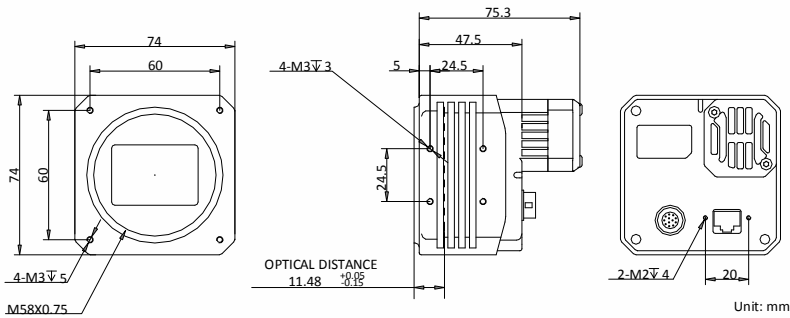
Model	MV-CH290-60GM	MV-CH290-60GC
<b>Camera</b>		
Sensor type	CCD, global shutter	
Sensor model	KAI29050	
Pixel size	5.5 μm × 5.5 μm	
Sensor size	36 mm x 24 mm	
Resolution	6576 × 4384	
Max. frame rate	4 fps @6576 × 4384	
Dynamic range	64 dB	
SNR	40 dB	
Gain	0 dB to 20 dB	
Exposure time	110 μs to 1 s	
Shutter mode	Off/Once/Continuous exposure mode	
Mono/color	Mono	Color
Pixel format	Mono 8/10/10p/12/12p	Mono 8/10/12 Bayer RG 8/10/10p/12/12p, YUV 422 Packed, YUV422_YUYV_Packed, RGB 8
Binning	Not support	
Decimation	Not support	
Reverse image	Supports horizontal reverse image output	
Image buffer	128 MB	
<b>Electrical features</b>		
Data interface	Gigabit Ethernet	
Digital I/O	12-pin IO, opto-isolated input x 1, opto-isolated output x 1, bi-directional non-isolated I/O x 1, RS232 x 1, and full-duplex RS485 x 1	
Power supply	12VDC @2A power adapter or switching power	
Power consumption	< 12 W@12 VDC	
<b>Structure</b>		
Lens mount	M58-mount, optical back focal length 11.48 mm (0.5") F-mount, optical back focal length 46.5 mm (1.8")	
Dimension	M58-mount without cooling fan: 74 mm × 74 mm × 47.5 mm (2.9" × 2.9" × 1.9") M58-mount with cooling fan: 74 mm × 74 mm × 75.3 mm (2.9" × 2.9" × 3.0") F-mount without cooling fan: 74 mm × 74 mm × 53.9 mm (2.9" × 2.9" × 2.1") F-mount with cooling fan: 74 mm × 74 mm × 81.7 mm (2.9" × 2.9" × 3.2")	
Weight	M58-mount with cooling fan: < 410 g (0.9 lb.) M58-mount with cooling fan: < 450 g (1.0 lb.) F-mount without cooling fan: < 560 g (1.2 lb.) F-mount with cooling fan: < 600 g (1.3 lb.)	
Ingress protection	IP40 (under proper lens installation and wiring)	
Temperature	Working temperature: 0 °C to 50 °C (32 °F to 122 °F) Storage temperature: -30 °C to 70 °C (-22 °F to 158 °F)	
Humidity	20% to 80% RH, without condensation	
<b>General</b>		
Client software	MVS or third-party software meeting with GigE Vision Protocol	
Operating system	32/64-bit Windows XP/7/10, 32/64-bit Linux and 64-bit MacOS	
Compatibility	GigE Vision	
Certification	CE, FCC, RoHS, KC	

# Dimension

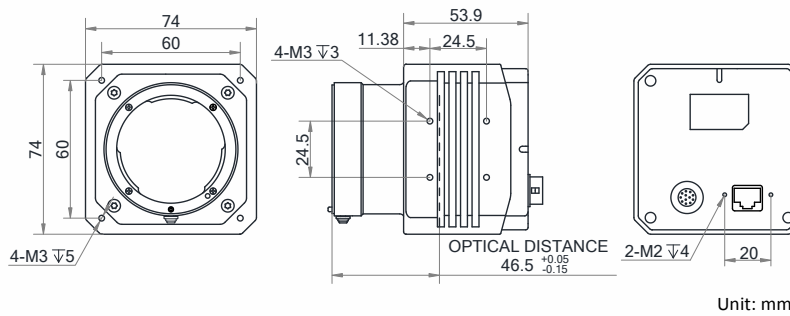
## M58-mount without fan:



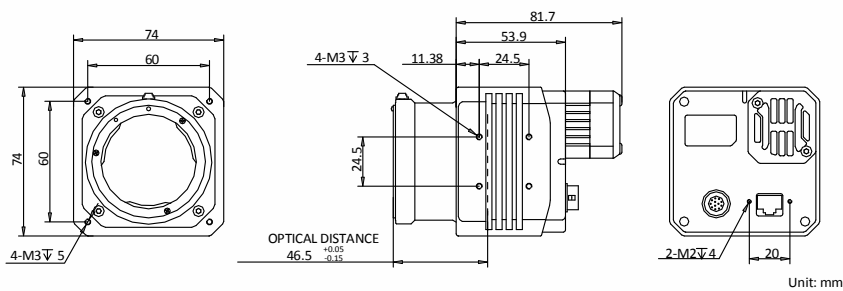
## M58-mount with fan:



## F-mount without fan:



## F-mount with fan:



**HIKROBOT**

Hangzhou Hikrobot Technology Co., Ltd.  
 No.399 Danfeng Road, Binjiang District, Hangzhou 310051, China.  
 en.hikrobotics.com

Copyright Hikrobot

Hangzhou Hikrobot Technology Co., Ltd. All Rights Reserved. Hangzhou Hikrobot Technology does not tolerate any infringement. Any organization or individual may not imitate or reproduce in whole or in part of the content. The data herein is based on Hikrobot's internal evaluation. Actual data may vary depending on specific configuration and operating condition. The information herein is subject to change without notice. All the content has been checked conscientiously. Nevertheless, Hikrobot shall not be liable to damages resulting from errors, inconsistencies or omissions.